

## Characterization of Biotherapeutics: ACQUITY UPLC H-Class Bio with 2D Part 1 of 3: On-line Desalting of Biotherapeutic Samples for Increased Productivity

---

Robert E. Birdsall, Sean M. McCarthy, Weibin Chen

Waters Corporation

---

### Abstract

This application note demonstrates that the ACQUITY UPLC H-Class Bio System with 2D Technology offers advantages for the on-line fractionation and desalting of challenging biological samples. A therapeutic monoclonal antibody, infliximab, was used to demonstrate this.

### Benefits

- Increase productivity through the automation of the fractionation processes using liquid chromatography
  - Increase efficiency through the on-line desalting of complex biotherapeutic samples
- 

### Introduction

---

Characterization of charge variants in biotherapeutic proteins often relies on charge-based separation techniques such as ion exchange chromatography (IEX).<sup>1,2</sup> While IEX separations are powerful in gathering information such as charge variant composition, the use of salts and buffer components prevents direct coupling to mass spectrometry (MS) to elucidate peak identity.<sup>3</sup> Chromatographic fractions of interest are often manually collected and desalted offline prior to MS analysis, which negatively impacts overall analysis time and productivity.

Waters' solution to this challenge is the ACQUITY UPLC H-Class Bio System with 2D Technology featuring a heart-cut technique. The fidelity of this 2D UPLC system makes it well suited for the automated fractionation and desalting of peaks of interest for increased productivity. Tandem column configurations (e.g., IEX/RPLC), when used with synchronized valve switching, can be used to heart-cut peaks of interest from the 1<sup>st</sup> dimension column to the 2<sup>nd</sup> dimension column. The 2<sup>nd</sup> dimension column acts as a trapping/desalting column where samples are desalted and eluted in solvents compatible with down-stream analyses, such as MS analysis or enzymatic digestion.

The objective of this three-part application series is to collectively demonstrate that the ACQUITY UPLC H-Class Bio System with 2D Technology offers advantages for the on-line fractionation and desalting (part 1) of challenging biological samples and is a viable interface for IEX with MS analysis (part 2). The system's ability to increase productivity across platforms will also be demonstrated with the on-line enrichment of low abundance species for peptide analysis (part 3). A therapeutic monoclonal antibody, infliximab, was used to demonstrate this.

---

## Experimental

### LC conditions

LC system:	ACQUITY UPLC H-Class Bio with 2D Technology
	1 <sup>st</sup> dimension pump: ACQUITY UPLC Quaternary
	Solvent Manager, ACQUITY UPLC Column
	manager

	2 <sup>nd</sup> dimension pump: ACQUITY UPLC Binary Solvent Manager, ACQUITY UPLC Autosampler with FTN
Detectors:	(1 <sup>st</sup> dimension) ACQUITY UPLC TUV  (2 <sup>nd</sup> dimension) ACQUITY UPLC PDA
Absorption wavelength:	280 nm
Vials:	Total recovery vial: 12 x 32 mm glass, screw neck, cap, nonslit (p/n 600000750cv)
Column:	Protein-Pak Hi Res SP, 7 μm, 4.6 x 100 mm (p/n 186004930) ACQUITY UPLC BEH C4, 300Å, 1.7 μ m, 2.1 x 50 mm, (p/n 186004495)
Column temp.:	25 °C (IEX); 80 °C (C4)
Sample temp.:	4 °C
Injection vol.:	2 μL unless otherwise stated

## IEX/RPLC Pump configuration

Quaternary solvent manager:	
Flow rate:	0.500 mL/min
Mobile phase A:	100 mM MES monohydrate
Mobile phase B:	100 mM MES sodium salt

Mobile phase C:	1000 mM NaCl
Mobile phase D:	18 MΩ H <sub>2</sub> O
Auto-Blend Plus setting:	20 mM MES buffer, pH 6.5, 25–65 mM NaCl in 15 minutes
Binary solvent manager:	
Flow rate:	0.250 mL/min for heart-cut, otherwise 0.500 mL/min
Mobile phase A:	18MΩ H <sub>2</sub> O, 0.1% FA
Mobile phase B:	Acetonitrile, 0.1% FA
Gradient:	5–85% B in 10 minutes

## Data management

MassLynx Software v4.1 (SCN 8.62)

The Waters Protein-Pak Hi Res SP, 7-μm, 4.6 x 100 mm, strong cation exchange column (p/n 186004930) and ACQUITY UPLC Protein BEH C4 Column, 300Å, 1.7 μm, 2.1 x 50 mm, (p/n 186004495) were conditioned prior to use. Chemical reagents were purchased from Sigma Aldrich and used as received. The monoclonal antibody infliximab was received at a concentration of 20 mg/mL in formulation buffer.

---

## Results and Discussion

### ACQUITY UPLC H-Class Bio System with 2D Technology featuring heart-cut technology

---

ACQUITY UPLC H-Class Bio System with 2D Technology featuring heart-cut technology The ACQUITY UPLC H-Class Bio System with 2D Technology featuring the heart-cut process is readily deployed with a two-column configuration as shown in Figure 1. With both valves in position 1 (Figure 1A), the flow from both the quaternary solvent manager and binary solvent manger are independent of each other, allowing for independent gradients to be performed on column 1 and 2.

The heart cut is performed when the valve positions are temporarily switched to position 2 (Figure 1B), combining the flow paths (Figure 1B blue trace) where effluent from column 1 is redirected to column 2. The ACQUITY UPLC Column Manager supports independent valve control as shown in Figure 1C. With the left valve in position 1 and the right valve in position 2 the flow paths of each column are isolated again, with the 2<sup>nd</sup> dimension column being eluted to waste. This allows for unbound salts to be washed from the heart-cut fraction, which is trapped at the column head of the 2<sup>nd</sup> dimension column, using the aqueous phase of the 2<sup>nd</sup> dimension.

Once desalted, the heart-cut fraction can be readily eluted in a mobile phase amenable to down-stream analyses using the ACQUITY UPLC Binary Solvent Manager.

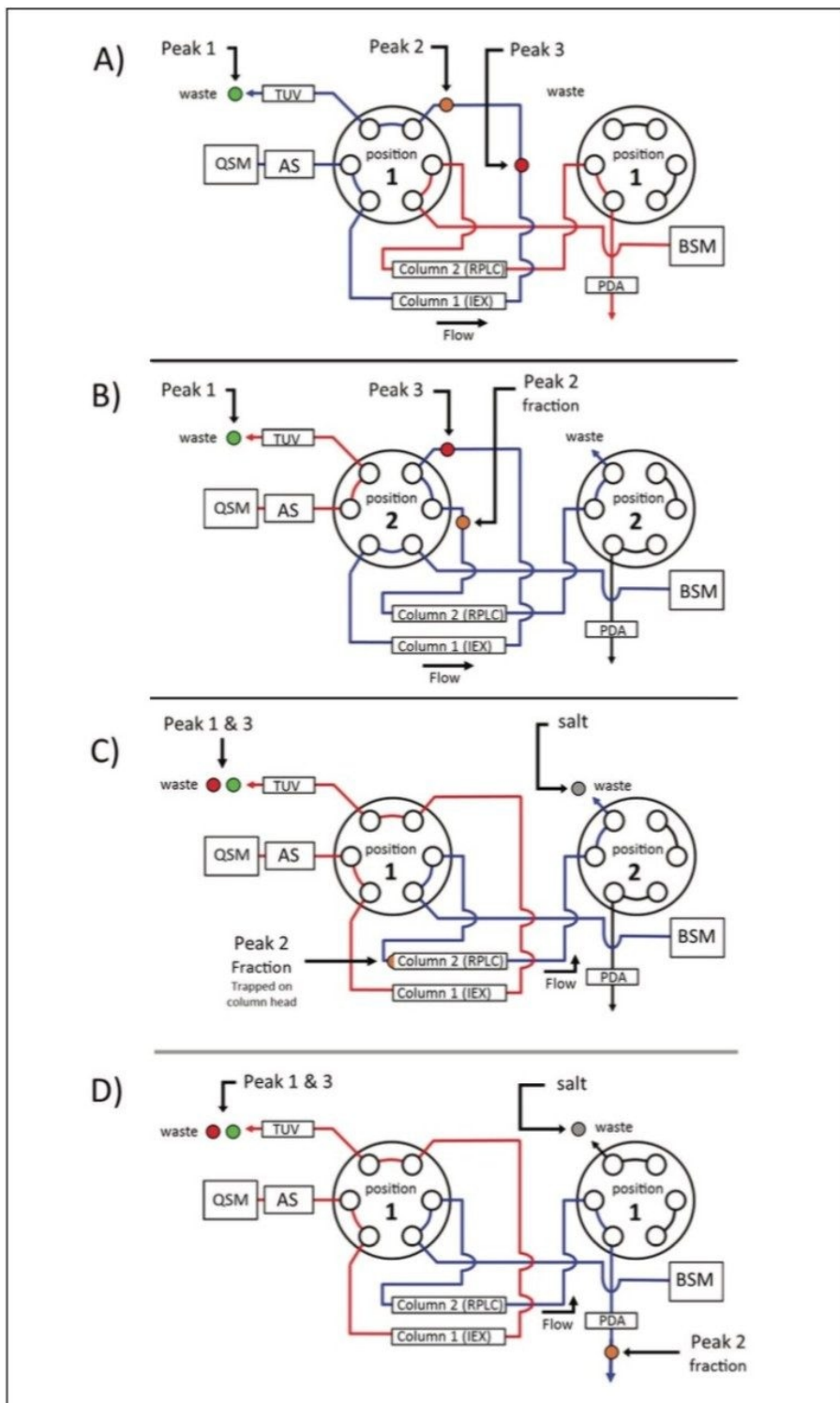


Figure 1. A plumbing diagram of the ACQUITY UPLC H-Class Bio System with 2D Technology and corresponding

---

*valve positions to perform a heart-cut are illustrated in A-D. A) Three charge variants (peak 1-3) are separated in the 1<sup>st</sup> dimension (IEX) using the ACQUITY UPLC Quaternary Solvent Manager to deliver a salt gradient. B) Synchronized valve switching diverts the flow path to the 2<sup>nd</sup> dimension where a fraction (heart-cut) of peak 2 is directed to the 2<sup>nd</sup> dimension column (RPLC). C) Independent valve control allows the left valve to re-engage flow to the 1st dimension column while the right valve remains in position 2 where the heart-cut of peak 2 has unbound salt removed under aqueous conditions from the ACQUITY UPLC Binary Solvent Manager. D) The right valve is returned to position 1 after desalting the heart-cut fraction and a standard reversed phase gradient is used to elute the fraction for down-stream analyses.*

The heart-cut process is readily engaged using the integrated event table of the ACQUITY UPLC Column Manager as shown in Figure 2A. When enabled the event table allows for independent programming of the left and right valve and their respective position. An illustration of the expected effect of the valve switches on the chromatographic profile are shown in Figure 2B where the “heart” of the peak is re-directed to the 2<sup>nd</sup> dimension column, bypassing the ACQUITY UPLC TUV Detector as illustrated in Figure 1B, resulting in the characteristic profile. Adaptable column configurations, combined with an easy-to-use integrated interface, demonstrates the ACQUITY UPLC H-Class Bio System with 2D Technology is well suited for fractionation, desalting of challenging biological samples.

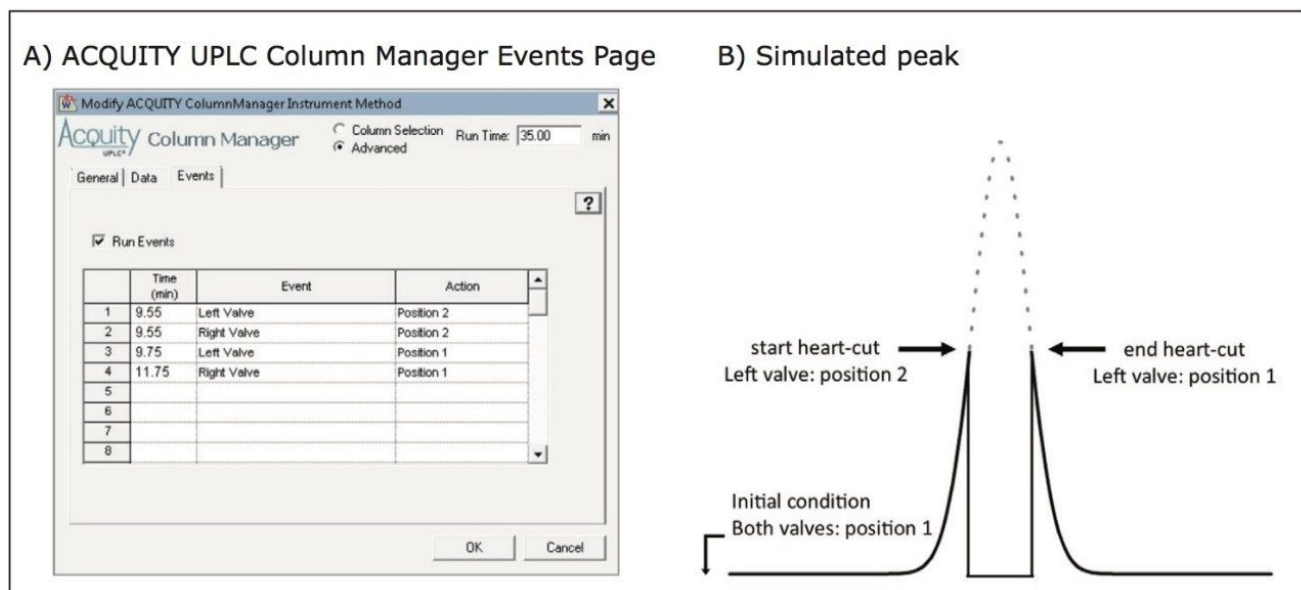


Figure 2. Programming the heart-cut. A) The heart-cut process is readily programmed from the integrated event table of the ACQUITY UPLC Column Manager. B) The simulated peak trace illustrates the expected chromatographic profile from the 1<sup>st</sup> dimension when performing a heart-cut.

## On-line desalting of lysine variants using 2D UPLC

Biotherapeutics are often processed in non-denaturing buffers containing salts, surfactants, and sugars. Additives such as these often need to be removed via desalting/buffer exchange columns or diluted to facilitate down-stream analyses that incorporate mass spectrometry or enzymatic digests. The heart-cut technology featured in the ACQUITY UPLC H-Class Bio System with 2D Technology is readily deployed with a two column configuration (IEX/RPLC) as shown in Figure 1 for on-line desalting of biotherapeutics.

The Waters Protein-Pak Hi Res SP, 7  $\mu\text{m}$ , 4.6 x 100 mm, SCX Column was used as the 1<sup>st</sup> dimension column with the Auto-Blend Plus Technology delivering a 15-minute salt gradient from 25–65 mM NaCl in 20 mM MES buffer, pH 6.8. Figure 3 shows a deglycosylated sample of infliximab where a heart-cut is being performed on the +0 lysine truncation variant from 9.55 min to 9.75 min using the ACQUITY UPLC Binary Solvent Manager Pump at a flow rate of 0.250 mL/min to elute the fraction to the 2<sup>nd</sup> dimension column.

As seen in the inset of Figure 3A the optical trace when performing the heart-cut exhibited the characteristic profile as illustrated in Figure 2B. The eluent flow containing the fraction of interest was redirected to an



ACQUITY UPLC BEH300 C4 Column (2<sup>nd</sup> dimension) where it was retained at the head of the column. The heartcut fraction was desalted for 5 minutes at a flow rate of 0.500 mL/min using 100% of the aqueous component of the 2<sup>nd</sup> dimension column (H<sub>2</sub>O, 0.1%FA v/v) as shown in Figure 3B. The desalted fraction of interest was eluted in the 2<sup>nd</sup> dimension using a 10 minute gradient from 0%–95% acetonitrile 0.1% FA, starting at the 15 minute mark using the ACQUITY UPLC Binary Solvent Manager.

The successful fractionation and desalting of a heart-cut fraction demonstrates the utility of using an ACQUITY UPLC H-Class Bio System with 2D Technology to increase efficiency in sample preparation of complex biotherapeutics.

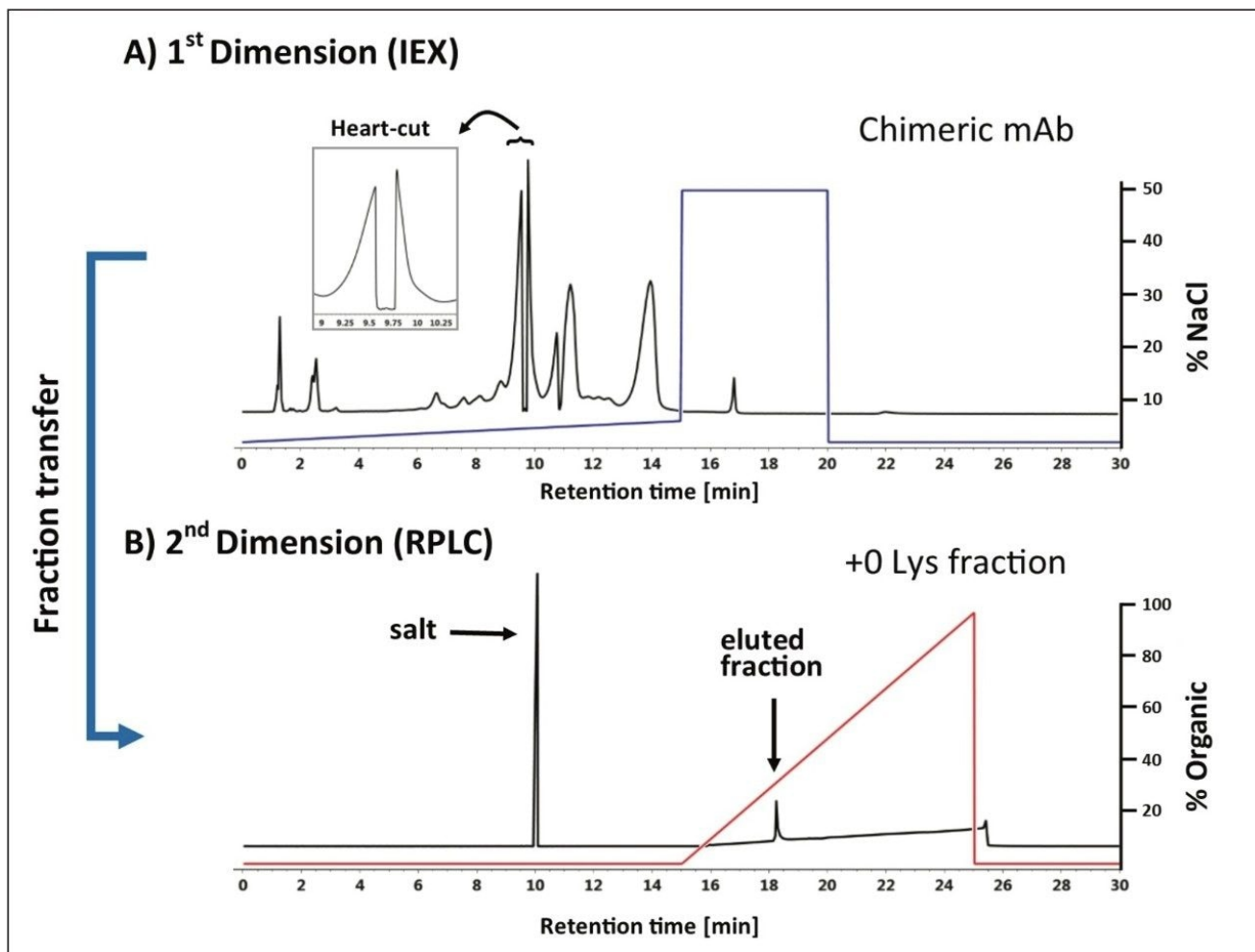


Figure 3. On-line Desalting of a heart-cut fraction.

A) The +0 Lys charge variant of infliximab was fractionated using the heart cut technology and transferred to the B) 2<sup>nd</sup> dimension column where the salt was removed from the sample prior to elution with an organic solvent.

\*The sharp drop in absorbance at 11 minutes preceding the heart-cut was due to the change in mobile phase composition passing through the 1<sup>st</sup> dimension column from the ACQUITY UPLC Binary Solvent Manager Pump.

## Conclusion

Increasing demand for informational content in the characterization of biotherapeutics, combined with a fast-

paced work environment, require efficient solutions that offer flexibility. The ACQUITY UPLC H-Class Bio System with 2D Technology is Waters' solution to these challenges. The heart-cut feature offered with the system is well suited for fractionation and desalting of challenging biological samples. Compatibility with multiple column configurations and the ability to automate the process offers today's analyst the flexibility needed to maximize information in the characterization of biotherapeutics without compromising productivity.

---

## References

1. Liu *et al.* Chromatographic analysis of the acidic and basic species of recombinant monoclonal antibodies. *mAbs*. 2012; 4(5): 578–585.
  2. Rea *et al.* Validation of a pH gradient-based ion-exchange chromatography method for high-resolution monoclonal antibody charge variant-separations. *Journal of Pharmaceutical and Biomedical Analysis*. 2011; 54: 317–323.
  3. Annesley, T. Ion Suppression in Mass Spectrometry: *Clinical Chemistry*. 2003; 49(7): 1041–1044.
- 

## Featured Products

[ACQUITY UPLC H-Class PLUS Bio System <https://www.waters.com/10166246>](https://www.waters.com/10166246)

[ACQUITY UPLC PDA Detector <https://www.waters.com/514225>](https://www.waters.com/514225)

[ACQUITY UPLC Tunable UV Detector <https://www.waters.com/514228>](https://www.waters.com/514228)

[MassLynx MS Software <https://www.waters.com/513164>](https://www.waters.com/513164)

720005329, March 2015

---

©2019 Waters Corporation. All Rights Reserved.

[Terms of Use](#)

[Privacy](#)

[Trademarks](#)

[Sitemap](#)

[Careers](#)

[Cookies](#)

[Preferências de cookies](#)